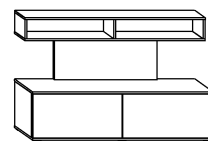




REX

- 140 x 94 x 36



| | | | | | | | |
|---------|----------|----------------------|--------------------|---------------------|----------|--------------|------------|
| x 6 | x 20 | x 12 | x 12 | x 4 | x 4 | x 2 kpl. | x 2 |
| x 2 | x 2 | x 28 (3,5x16) | x 12 (4x20) | x 4 (6,2x13) | x 80 | x 1 | |
| x 6 | | | | | | | 40 min |

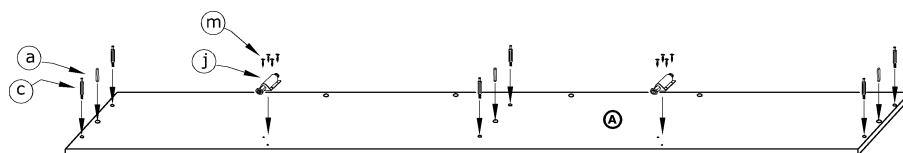
1 - FAZY MONTAŻU

A - OZNACZENIE ELEMENTÓW

a - OZNACZENIE AKCESORIÓW

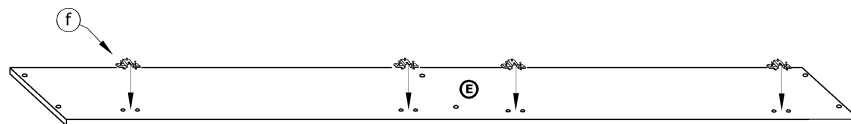
1

| | |
|---------|---------------------|
| x 3 | x 6 |
| x 2 | x 8 (3,5x16) |



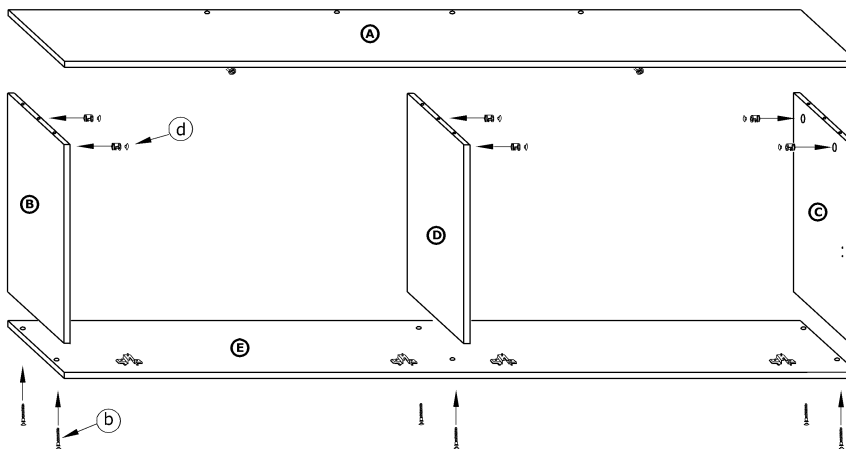
2

| |
|---------|
| x 4 |
|---------|



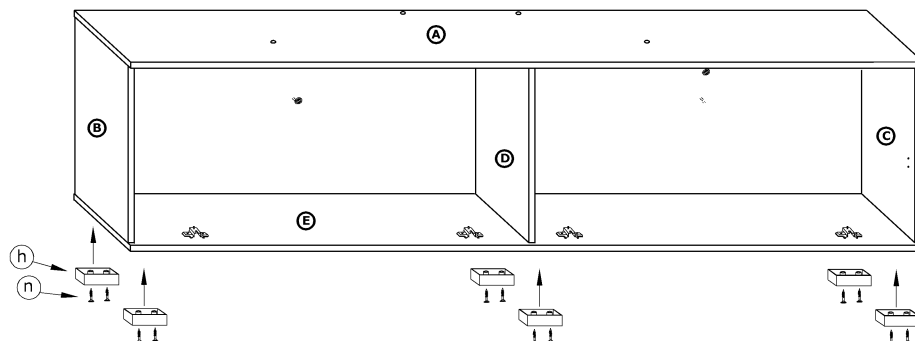
3

| |
|---------|
| x 6 |
| x 6 |



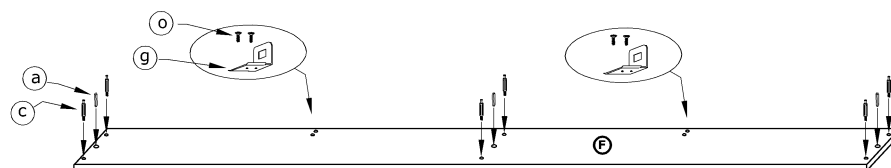
4

| |
|--------------------|
| x 6 |
| x 12 (4x20) |



5

| | |
|---------|---------------------|
| x 3 | x 6 |
| x 2 | x 4 (6,2x13) |



6

x 6

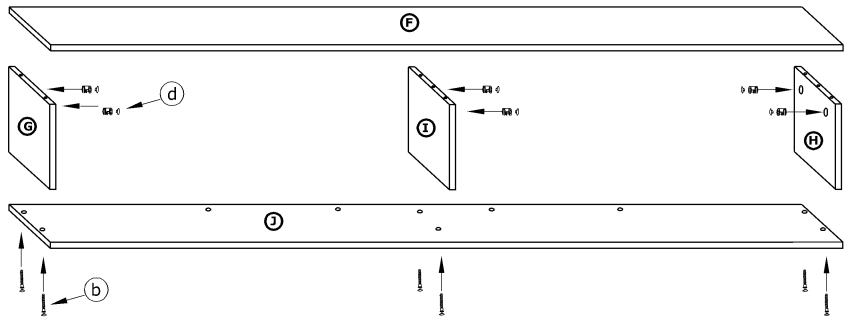


(b)

x 6



(d)

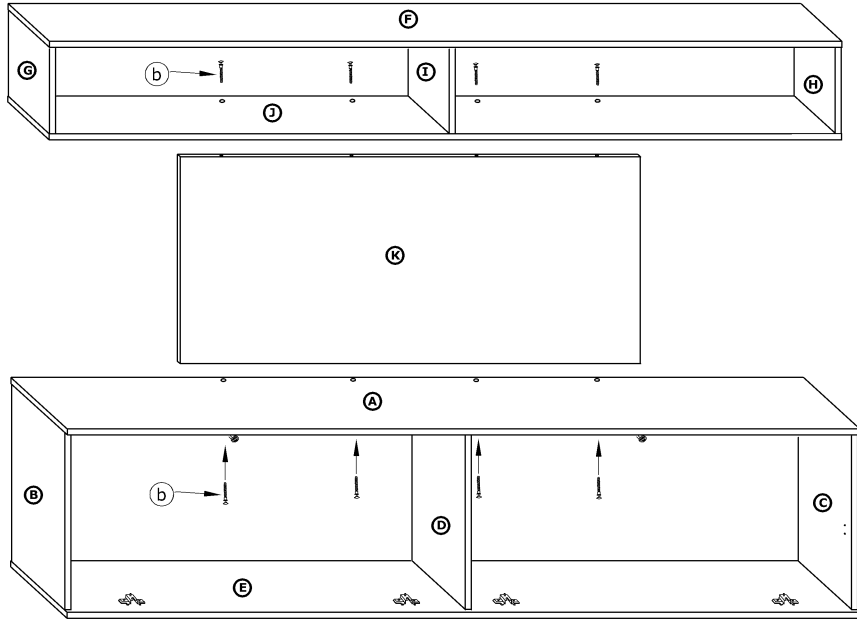


7

x 8



(b)



8

x 4



(e)

x 2



(i)

x 2



(k)

x 20



(m)

(3,5x16)

x 80



(p)

